



keonn

Modular RFID
Components

AdvanHolder™

Holder for Keonn antennas





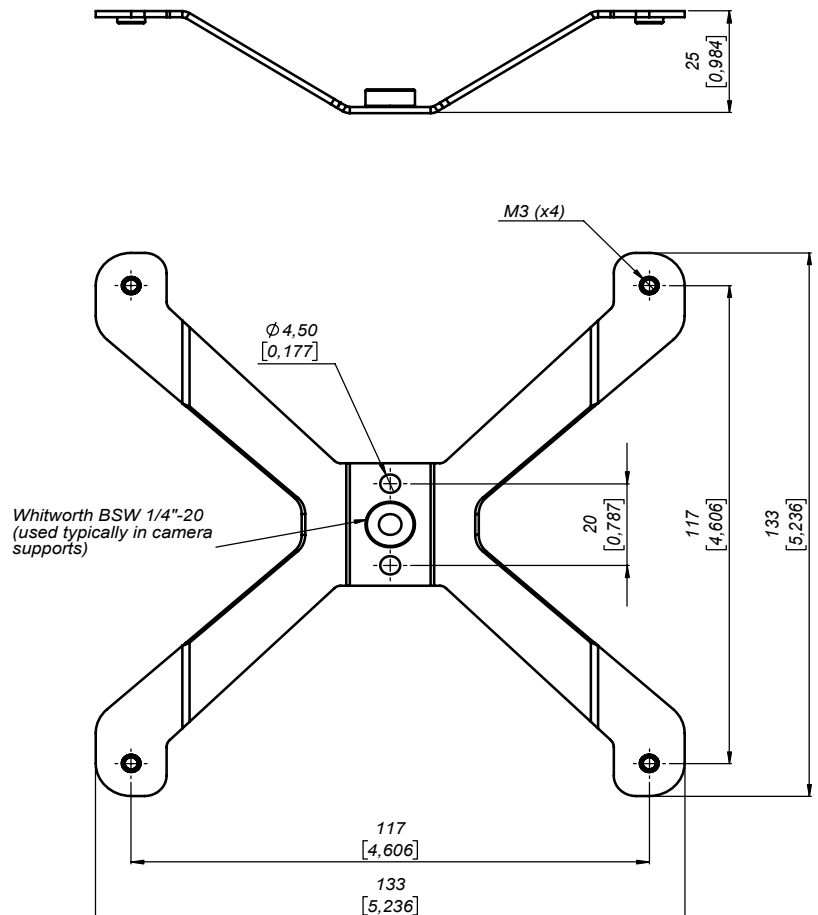
Benefits:

- Very thin
- Very light
- Easy to mount
- Reduces the time and costs of installation

Product overview

AdvanHolder-p11™ is an antenna holder designed especially for Advantenna-p11. With its thin and easy to mount profile, AdvanHolder-p11™ offers a new level of comfort in areas previously difficult to accommodate an antenna.

Mechanical specifications (in millimeters)



Units in millimeters and [inches]



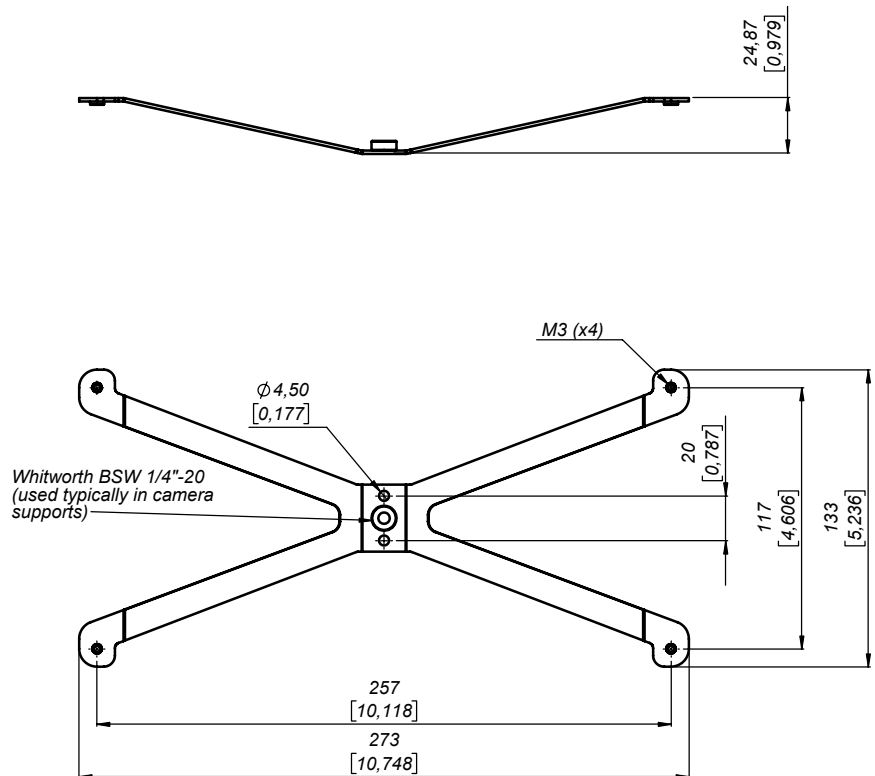
Benefits:

- Very thin
- Very light
- Easy to mount
- Reduces the time and costs of installation

Product overview

AdvanHolder-p12™ is an antenna holder designed especially for Advantenna-p12. With its thin and easy to mount profile, AdvanHolder-p12™ offers a new level of comfort in areas previously difficult to accommodate an antenna.

Mechanical specifications (in millimeters)



Units in millimeters and [inches]



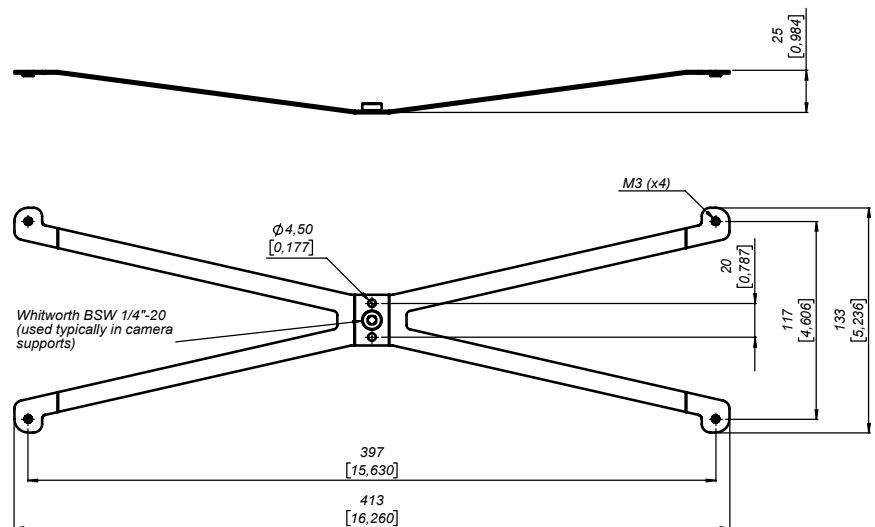
Benefits:

- Very thin
- Very light
- Easy to mount
- Reduces the time and costs of installation

Product overview

AdvanHolder-p13™ is an antenna holder designed especially for Advantenna-p13. With its thin and easy to mount profile, AdvanHolder-p13™ offers a new level of comfort in areas previously difficult to accommodate an antenna.

Mechanical specifications (in millimeters)



Units in millimeters and [inches]



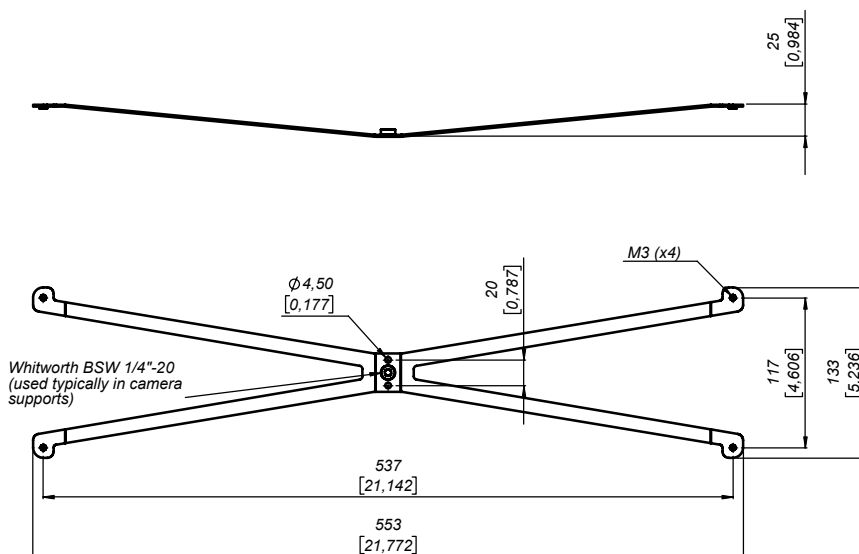
Benefits:

- Very thin
- Very light
- Easy to mount
- Reduces the time and costs of installation

Product overview

AdvanHolder-p14™ is an antenna holder designed especially for Advantenna-p14. With its thin and easy to mount profile, AdvanHolder-p14™ offers a new level of comfort in areas previously difficult to accommodate an antenna.

Mechanical specifications (in millimeters)



Units in millimeters and [inches]



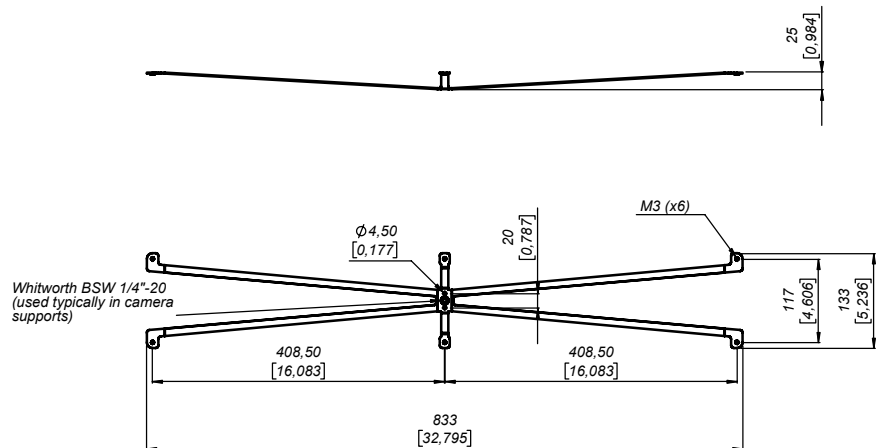
Benefits:

- Very thin
- Very light
- Easy to mount
- Reduces the time and costs of installation

Product overview

AdvanHolder-p16™ is an antenna holder designed especially for Advantenna-p16. With its thin and easy to mount profile, AdvanHolder-p16™ offers a new level of comfort in areas previously difficult to accommodate an antenna.

Mechanical specifications (in millimeters)



Units in millimeters and [inches]



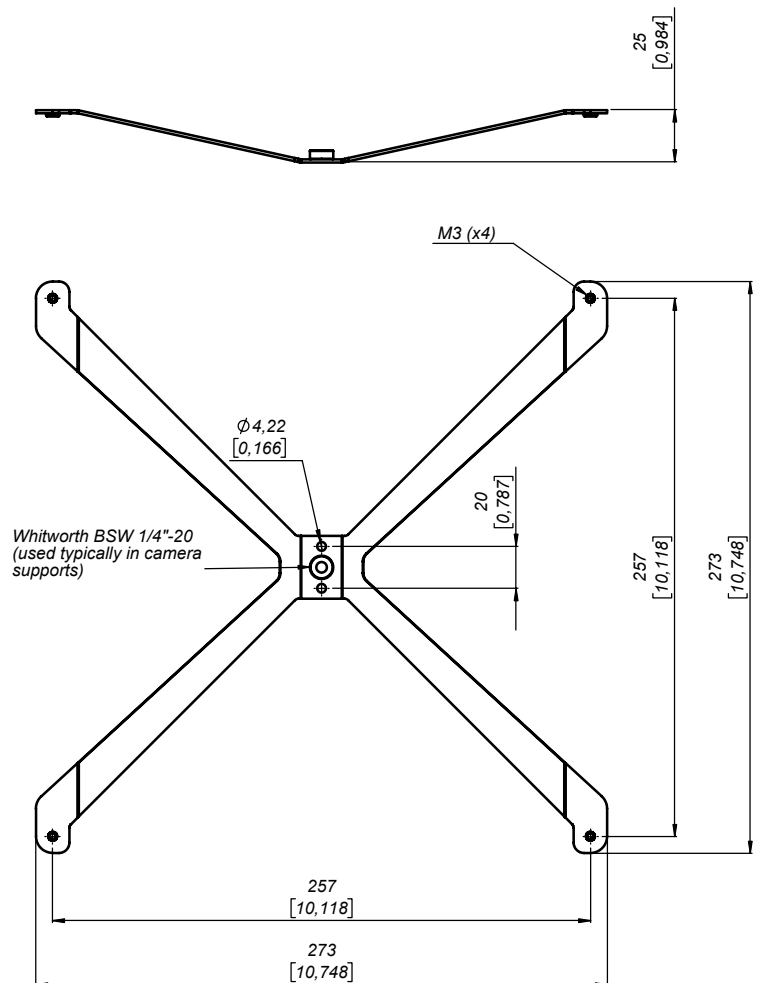
Benefits:

- Very thin
- Very light
- Easy to mount
- Reduces the time and costs of installation

Product overview

AdvanHolder-p22™ is an antenna holder designed especially for Advantenna-p22. With its thin and easy to mount profile, AdvanHolder-p22™ offers a new level of comfort in areas previously difficult to accommodate an antenna.

Mechanical specifications (in millimeters)



Units in millimeters and [inches]



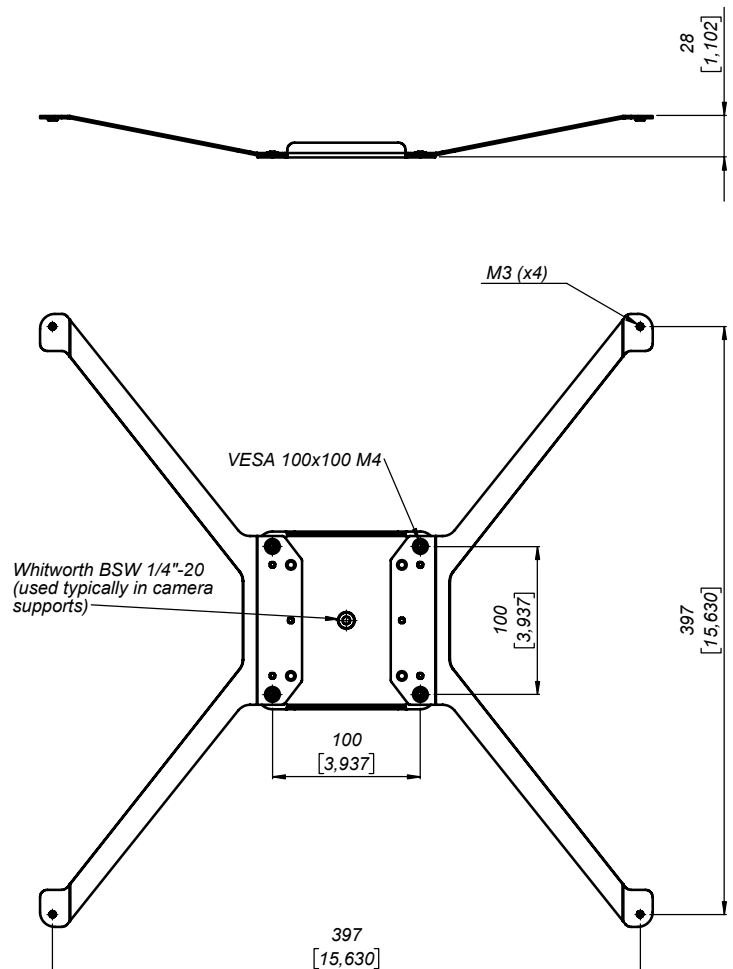
Benefits:

- Very thin
- Very light
- Easy to mount
- Reduces the time and costs of installation

Product overview

AdvanHolder-p33™ is an antenna holder designed especially for Advantenna-p33. With its thin and easy to mount profile, AdvanHolder-p33™ offers a new level of comfort in areas previously difficult to accommodate an antenna.

Mechanical specifications (in millimeters)



Units in millimeters and [inches]



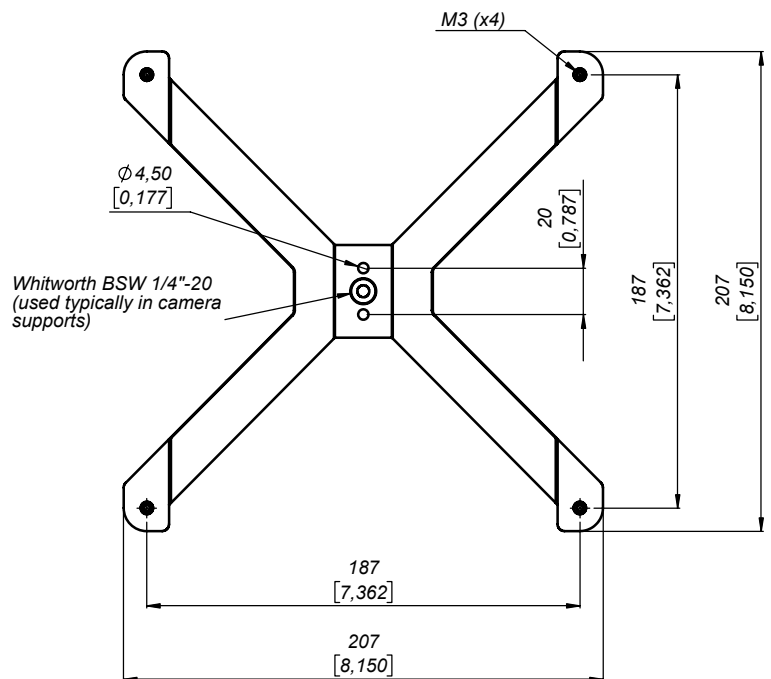
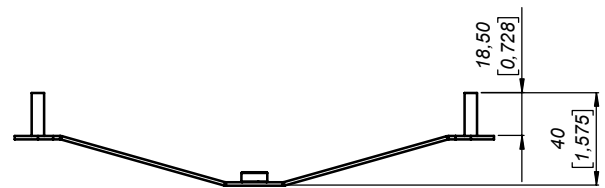
Benefits:

- Very thin
- Very light
- Easy to mount
- Reduces the time and costs of installation

Product overview

AdvanHolder-SP11™ is an antenna holder designed especially for Advantenna-SP11. With its thin and easy to mount profile, AdvanHolder-SP11™ offers a new level of comfort in areas previously difficult to accommodate an antenna.

Mechanical specifications (in millimeters)



Units in millimeters and [inches]



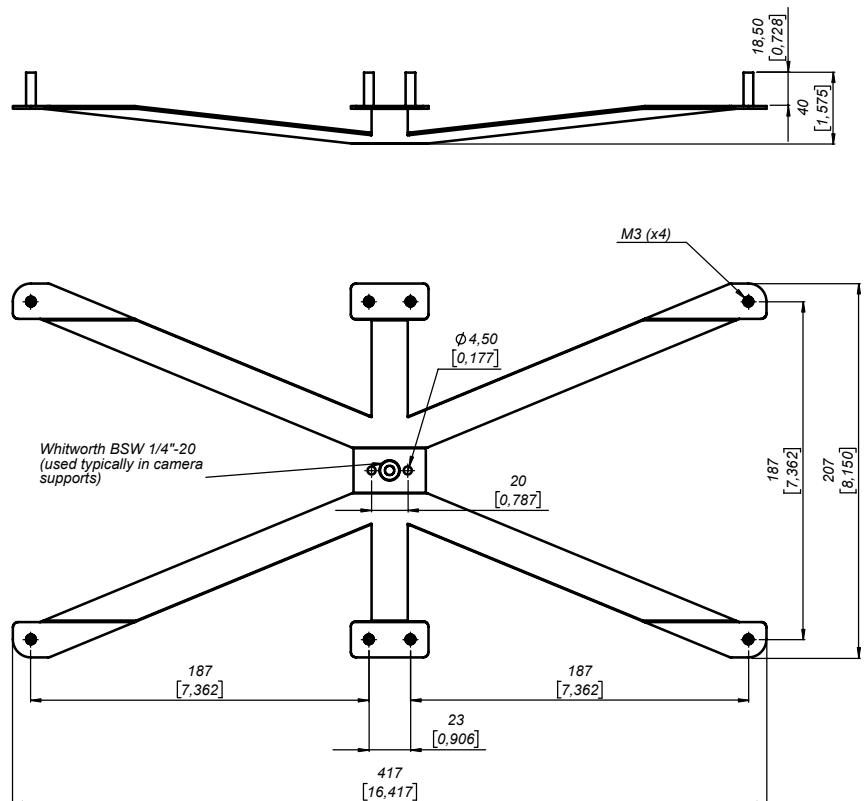
Benefits:

- Very thin
- Very light
- Easy to mount
- Reduces the time and costs of installation

Product overview

AdvanHolder-SP12™ is an antenna holder designed especially for Advantenna-SP12. With its thin and easy to mount profile, AdvanHolder-SP12™ offers a new level of comfort in areas previously difficult to accommodate an antenna.

Mechanical specifications (in millimeters)



Units in millimeters and [inches]



Copyright © Keonn Technologies S.L.
All rights reserved.

Information in this publication
supersedes all earlier versions.
Specifications subject to change
without notice.

